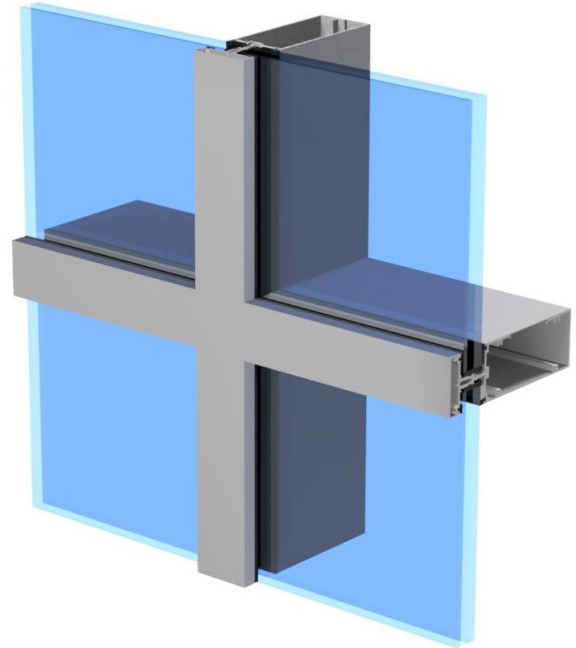


Impact Resistant Curtain Wall

The Series **2047** System is an impact resistant curtain wall designed to accommodate **9/16" laminated glass** and **1 5/16" insulated laminated glass**. This system meets the demanding requirements of both Florida and Miami Dade County. The 2047 system offers both **large and small missile impact up to +145/-145 PSF**. It combines maximum performance with the versatility of factory assembly and glazing for a complete unitized system.



GLF Headquarters, Miami, FL
Architect: Oppenheim Architect & Design



Leon Medical Center, Miami, FL
Architect: MGE Architects

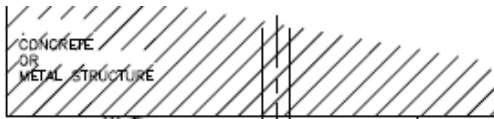
Testing

- Miami/Dade County
- Florida Building Code TAS-201, TAS-202, Tas-203
- ASTM E 1886, E1996

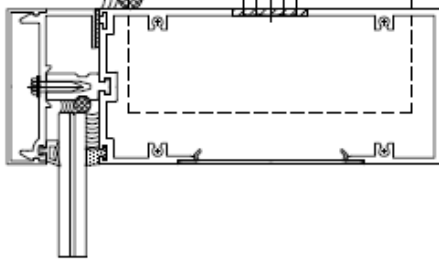
Features

- Profile Dimension 3" x 6".
- Designed Pressure up to +145/-145 PSF.
- Designed for single and multiple span.
- Achieve 12'-0" vertical single span.
- Designed for 9/16" Laminated and 1 5/16" Insulated Laminated Glass.
- Optional 4 Side Silicone Structural Glazed.
- Tested for Door Insert.
- Notice of Acceptance for Large and Small Missile impact including HVHZ.

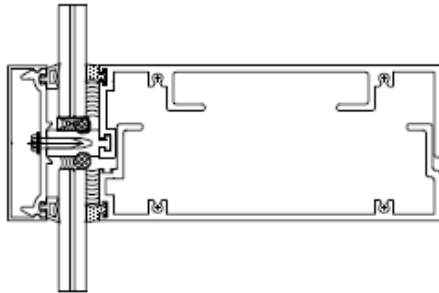
Details and Glazing options Series 2047



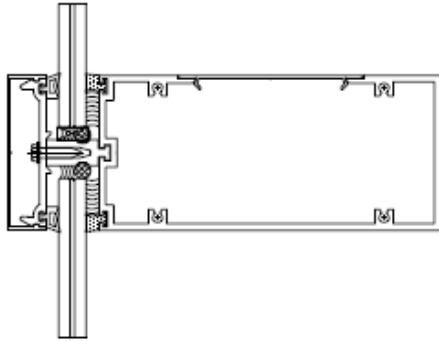
Head



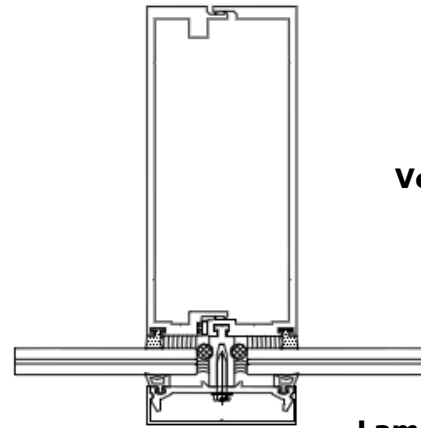
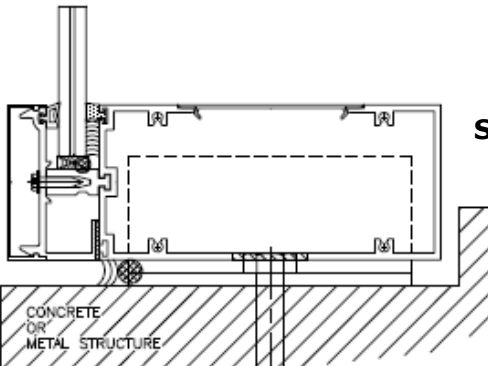
Expansion Joint



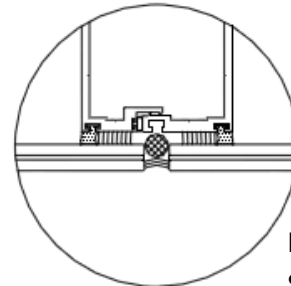
Horizontal



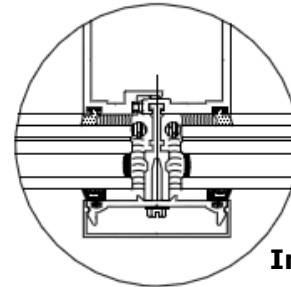
Sill



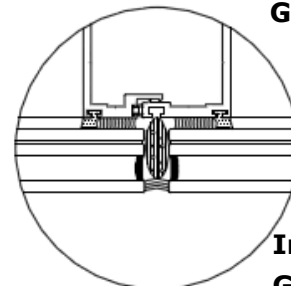
Vertical Mullion



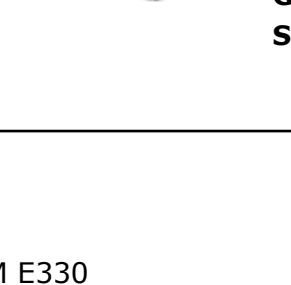
**Laminated Glass
Captured Glazing**



**Laminated Glass
Silicone Structural
Glazed**



**Insulated Laminated
Glass Captured
Glazing**



**Insulated Laminated
Glass Silicone
Structural Glazed**

Performance

- Air Infiltration: 0.06 cfm/sqft at 6.24 psf
- Static Water: 21.8 psf per ASTM E547/E331
- Structural Load: +145/-145 psf per TAS-202 and ASTM E330
- Large missile and Cycling: +145/-145 psf per TAS-201, TAS-203, and ASTM E1886, E1996