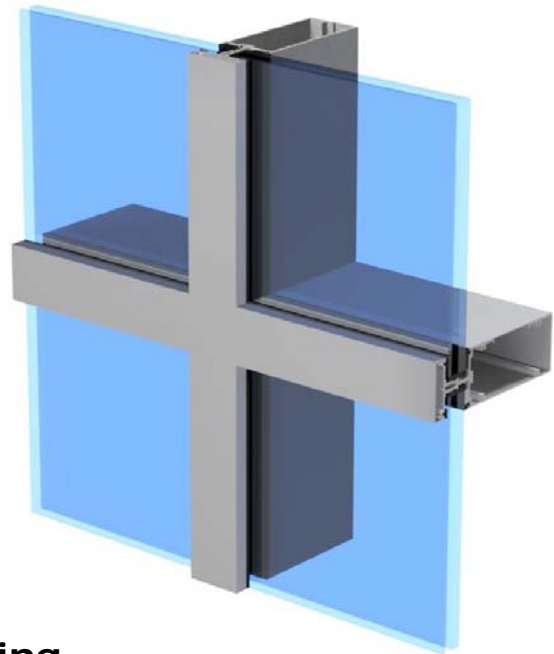


Series 2047 HS *Bringing VALUE Where it MATTERS*

Impact Resistant Curtain Wall

The Series **2047 High Span** System is an impact resistant curtain wall designed to accommodate **9/16" laminated glass** and **1 5/16" insulated laminated glass**. This system meets the demanding requirements of both Florida and Miami Dade County. The 2047 system offers both **large and small missile impact up to +100/-100 PSF**. It combines maximum performance with the versatility of factory assembly and glazing for a complete unitized system. Series 2047 meets **Level-E** requirement for essential facilities.



Wynwood Project, Miami, FL
Architect: Bellin & Pratt Architects

Testing

- Miami/Dade County
- Florida Building Code TAS-201, TAS-202, Tas-203
- ASTM E 1886, E1996

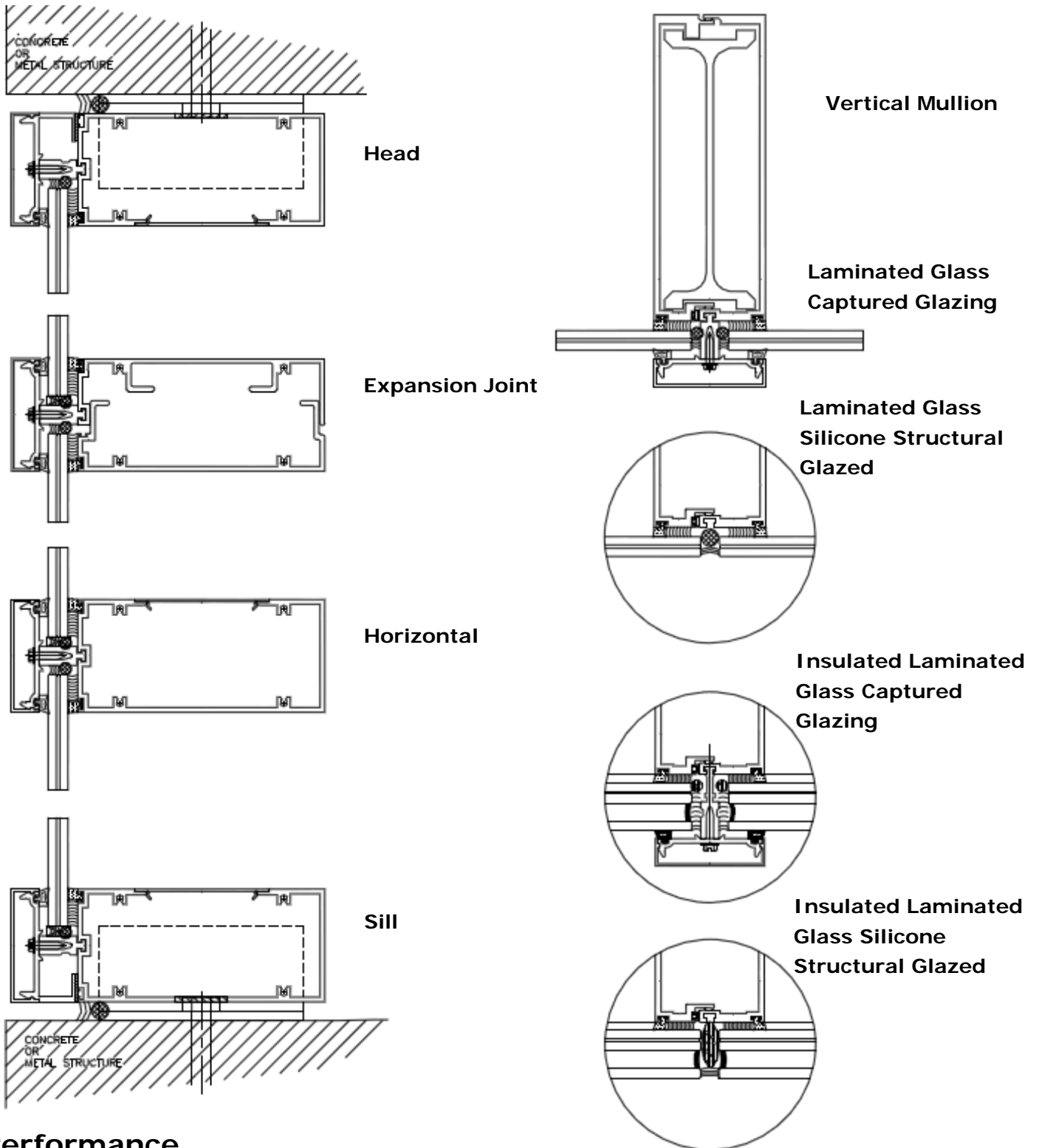
Features

- Profile Dimension 3" x 8".
- Designed Pressure up to +100/-100 PSF.
- Designed for single and multiple span.
- **Achieve 20'-0" vertical single span.**
- Designed for 9/16" Laminated and 1 5/16" Insulated Laminated Glass.
- Optional 4 Side Silicone Structural Glazed.
- Tested for Door Insert.
- Florida Building Approval code for Large and Small Missile impact including HVHZ.



8321 NW 70th ST, Miami, Florida 33166
Tel: 305-594-4321 Fax: 350-599-2730
www.glasstecheng.com

Details and Glazing options Series 2047



Performance

- Air Infiltration: 0.06 cfm/sqft at 6.24 psf
- Static Water: 21.8 psf per ASTM E547/E331
- Structural Load: +100/-100 psf per TAS-202 and ASTM E330
- Large missile and Cycling: +100/-100 psf per TAS-201, TAS-203, and ASTM E1886, E1996